



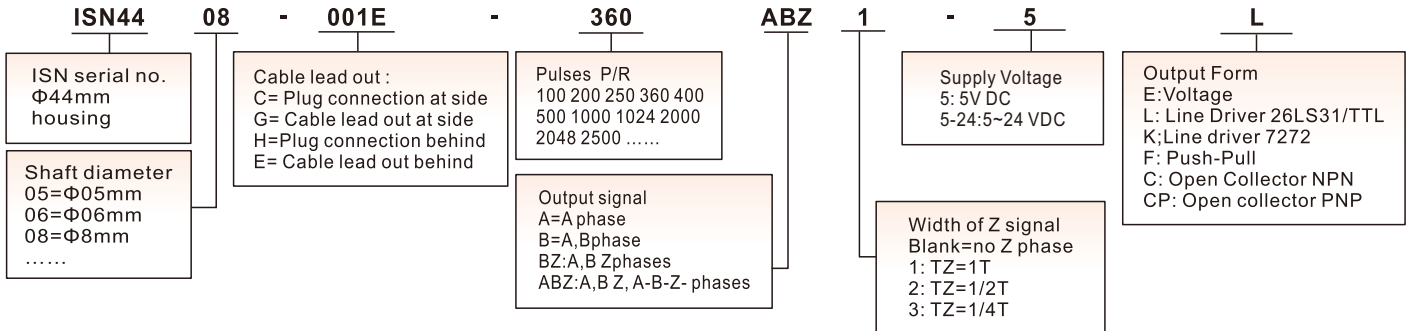
◆ **Application**

- Measure the speed , tensile stress control, length dimension with measuring wheel, embroidery machines , textile machine and etc.

◆ **Features**

- High reliability, long life, strong anti-interference ability
- 2 quadrature output channel (A&B) + index signal

◆ **Ordering Information**



◆ **Note:**

1. Please contact sales representative to confirm the correctness and availability of the part number

◆ **Technical Specifications**

| Electrical Specification | | | | |
|-------------------------------------|---------------------|-----------------------|------------------|--------------------|
| Output circuit | Open collector | Voltage output | Push pull output | Line driver output |
| Power Vcc | 5~30 | 5~30 | 5±0.25 5~30 | 5±0.25 5~30 |
| Current | ≤80mA | ≤80mA | ≤80mA | ≤150mA |
| Load current | 40mA | 40mA | 40mA | 60mA |
| High-level output | Min Vcc*70% | Min Vcc-2.5V | Min Vcc-1.5V | Min 3.4V |
| Low-level output | Max 0.4V | Max 0.4V | Max 0.8V | Max 0.4V |
| Rise Time Tr | Max 1us | Max 1us | Max 1us | Max 200ns |
| Fall Time Tr | Max 1us | Max 1us | Max 1us | Max 200ns |
| Max Responding Frequency | 100kHz | 100kHz | 100kHz | 100kHz |
| Mechanical Specification | | | | |
| Max speed(r/min) | Starting Torque | Max. Shaft Loading | Shocking | Vibration |
| 6000 | <0.04Nm | Radial:25N, Axial:15N | 50G/11ms | 10G 10-2000Hz |
| Rotor Inertia | Working Temperature | Storage Temperature | Protection Grade | Weight |
| 4*10 ⁻⁸ Kgm ² | -25~80℃ | -30~85℃ | IP51 | 200g |

◆ **Connection Table**

| Signal | A | B | Z | Ā | B̄ | Z̄ | Vcc | GND |
|--------|-------|-------|--------|-------|------|--------|-----|-------|
| Color | Green | White | Yellow | Brown | Grey | Orange | Red | Black |

◆ **Dimensions(mm)**

