



### ◆ Application

- Industrial tolling machinery , zero correction of printing machinery or signal cutting , numerical control machine or signal dividing.

### ◆ Features

- Suitable for manual pulses input type such as CNC or milling machine
- Plastic case, high electrical resistance. Shaft switching trigger, oil sealed design

### ◆ Ordering Information

ISMM1469	001E	-	100	B	-	5	L
Serial no. ISMM1469			Pulses P/R 25 or 100	Output signal B=A,Bphase		Supply Voltage 5: 5V DC 12: 12VDC	Output Form E:Voltage L : Line Driver26LS31/TTL K:Line Driver7272

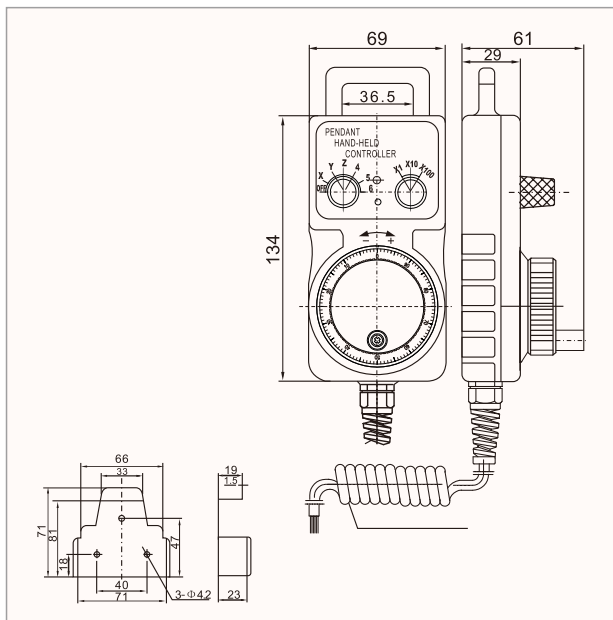
### ◆ Note:

1. Please contact sales representative to confirm the correctness and availability of the part number
2. Line Driver is only available with 5V DC, 12VDC option

### ◆ Technical Specifications

Electrical Specification				
Output circuit	Open collector	Voltage output	Push pull output	Line driver output
Power Vcc	5~30	5~30	5±0.25 5~30	5±0.25 12V
Current	≤100mA	≤100mA	≤100mA	≤120mA
Load current	40mA	40mA	40mA	60mA
High-level output	Min Vcc*70%	Min Vcc-2.5V	Min Vcc-1.5V	Min 3.4V
Low-level output	Max 0.4V	Max 0.4V	Max 0.8V	Max 0.4V
Rise Time Tr	Max 1us	Max 1us	Max 1us	Max 200ns
Fall Time Tr	Max 1us	Max 1us	Max 1us	Max 200ns
Max Responding Frequency	20kHz	20kHz	20kHz	20kHz
Mechanical Specification				
Max speed(r/min)	Working Temperature	Storage Temperature	Protection Grade	Weight
600	-25~70℃	-25~85℃	IP50	750g

### ◆ Dimensions(mm)



### ◆ Connection Table

Item	Wire color	Signal	Note
1	Red	+5V	Pulses generator MPG
2	Black	0V	
3	Green	A	
4	White	B	
3*(or 17)	Purple	A-	When Line driver
4*(or 18)	Purple/black	B-	
5	Green/black	+	Indicator
6	White/black	-	
		OFF	Axis selection
7	Yellow	X	
8	Yellow/black	Y	
9	Brown	Z	
10	Brown/black	4	
9*(or 15)	Pink	5	select the 5th, 6th axis
10*(or 16)	Pink/black	6	
11	Grey	X1	Select multiple
12	Grey/black	X10	
13	Orange	X100	
14	Orange/black	COM	Control Shielding