



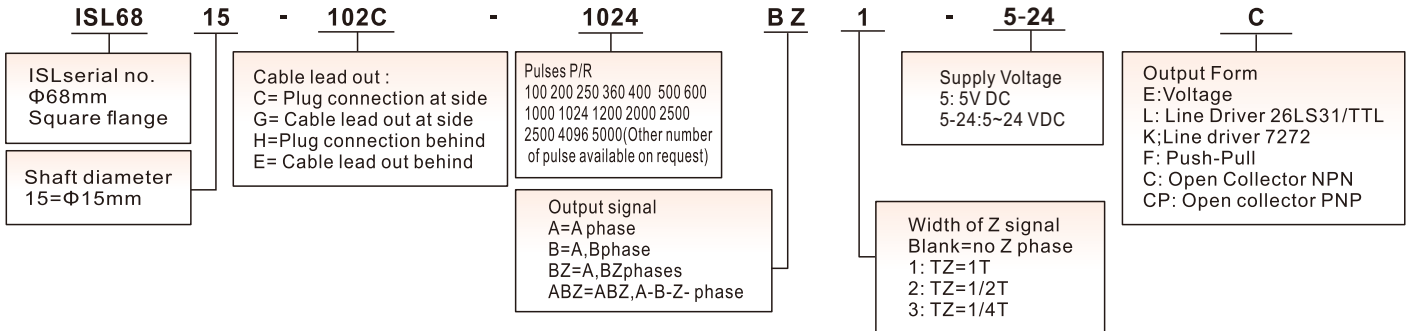
◆ Application

- Be used in automatic control, measurements, robotic, X-Y labor and printing.

◆ Features

- High reliability, long life, strong anti- interference ability and wide range temperature adaption.
- Adapted 4 bearings design, can be hung on the synchronous wheel , and ISL68 contain soft connector to ensure the encoder spindle without damage.

◆ Ordering Information



◆ Note:

1. Please contact sales representative to confirm the correctness and availability of the part number

◆ Technical Specifications

Electrical Specification				
Output circuit	Open collector	Voltage output	Push pull output	Line driver output
Power Vcc	5~30	5~30	5±0.25 5~30	5±0.25 5~30
Current	≤80mA	≤80mA	≤80mA	≤150mA
Load current	40mA	40mA	40mA	60mA
High-level output	Min Vcc*70%	Min Vcc-2.5V	Min Vcc-1.5V	Min 3.4V
Low-level output	Max 0.4V	Max 0.4V	Max 0.8V	Max 0.4V
Rise Time Tr	Max 1us	Max 1us	Max 1us	Max 200ns
Fall Time Tr	Max 1us	Max 1us	Max 1us	Max 200ns
Max Responding Frequency	150kHz	150kHz	150kHz	150kHz
Mechanical Specification				
Max speed(r/min)	Starting Torque	Max. Shaft Loading	Shocking	Vibration
6000	<0.12Nm	Radial:85N, Axial:50N	50G/11-ms	10G 10-2000Hz
Rotor Inertia	Working Temperature	Storage Temperature	Protection Grade	Weight
4*10 ⁻⁸ Kgm ²	-30~80℃	-35~95℃	IP51	600g

◆ Connection Table(17pin plug)

Subscript	1	3	6	14	16	15	9	5	8	12
Subscript	A	B	C	E	F	H	K	N	P	R
Color	Green	Yellow	White	Purple	Purple	Red	Black	Brown	Orange	Gray
Signal	A	Z	B	NC	NC	Vcc	Gnd	A/	Z/	B/

◆ Dimensions(mm)

